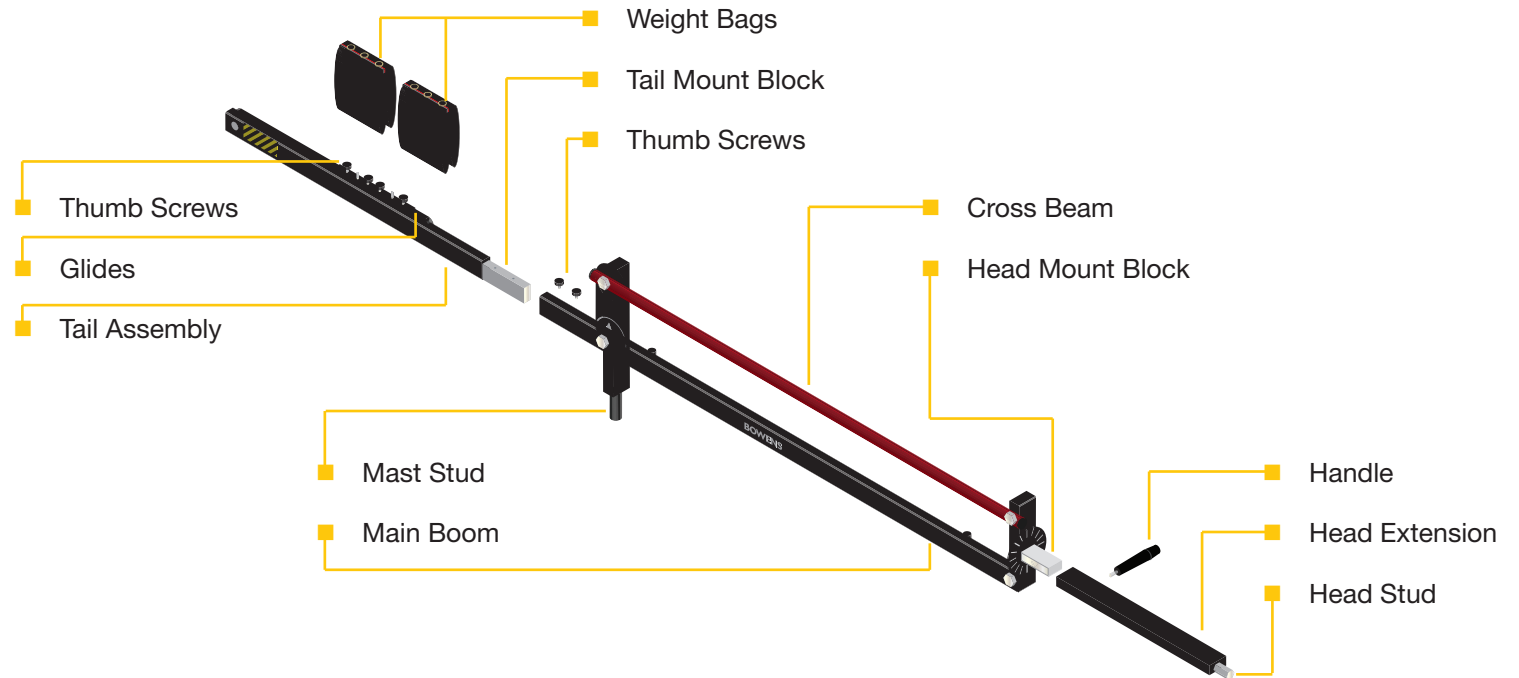


Parts Included

1. Tail Assembly (1)
2. Glides (1)
3. Thumb Screws (6)
4. Weight Bags (2)
5. Main Boom (1)
6. Cross Beam (1)
7. Head Mount Block (1)
8. Handle (1)
9. Head Extension (1)
10. Head Stud (1)
11. Cord Clips (2)
12. Cable Straps (2)



Assembling the Boom

1. Slide the *Tail Assembly* into the *Main Boom* and secure with two *Thumb Screws*.
2. Slide the *Head Extension* onto the *Head Mount Block* of the *Main Boom*.
3. Attach the *Handle* to secure the *Head Extension* to the *Head Mount Block*.
4. Attach the *Weight Bags* onto the *Glide* and secure using four *Thumb Screws*.

Set up Instructions

1. Insert the *Mast Stud* of the Boom into a 1½" socket of a Boom Stand.
2. Attach a light head onto the *Head Stud*.
3. Use the *Cord Clips* or *Cable Straps* to secure any cables to the *Main Boom* or *Cross Beam*.
4. Loosen the *Weight Bag Thumb Screws*, reposition the bags on the *Glide* track to counter-balance the weight of the lights.

Boom Accessories

18" (46cm) Head Extension	RD1219
24" (61cm) Head Extension	RD1225
30" (76cm) Head Extension	RD1231
48" (122cm) Head Extension	RD1249
12lbs. (5.5kg) Weight Bag (empty)	RD1290
15lbs. (6.8kg) Weight Bag (empty)	RD1295
Vertical Light Mount Stud (½" or ⅝")	RD1280
Thumbscrews (set of four)	RD1330